



CIRCLE SEAL CONTROLS

L500 Series

Low Pressure Relief Valve 0.2–15 psig



Features

Accurate cracking pressure
Eliminates sticking
In-line or vent to atmosphere with deflector cap
Adjustable cracking pressure
Zero leakage
Optional factory preset

Technical Data

| | |
|-----------------------------|---|
| Body Construction Materials | Brass, 316 stainless steel |
| O-ring Materials | Buna N, ethylene propylene, Kalrez®, neoprene, silicone, Viton® |
| Spring Materials | 302 stainless steel |
| Cracking Pressure | .2 psig to 15 psig |
| Operating Pressure | 0 to 25 psig (1.72 BAR) |
| Inline Valve Proof Pressure | 37.5 psig (2.59 BAR) |
| Inline Valve Burst Pressure | Above 100 psig (6.89 BAR) |
| Temperature Range | -70° F to +550° F (-57° C to +288° C) |
| Connection Sizes | ¼" to ½" |
| Orifice Size | 0.281" |

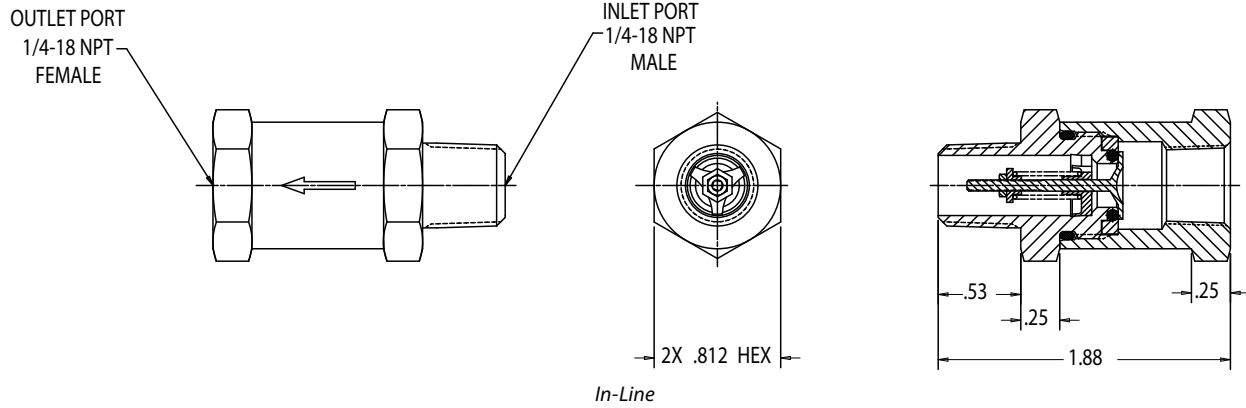
relief valves

Circle Seal Controls

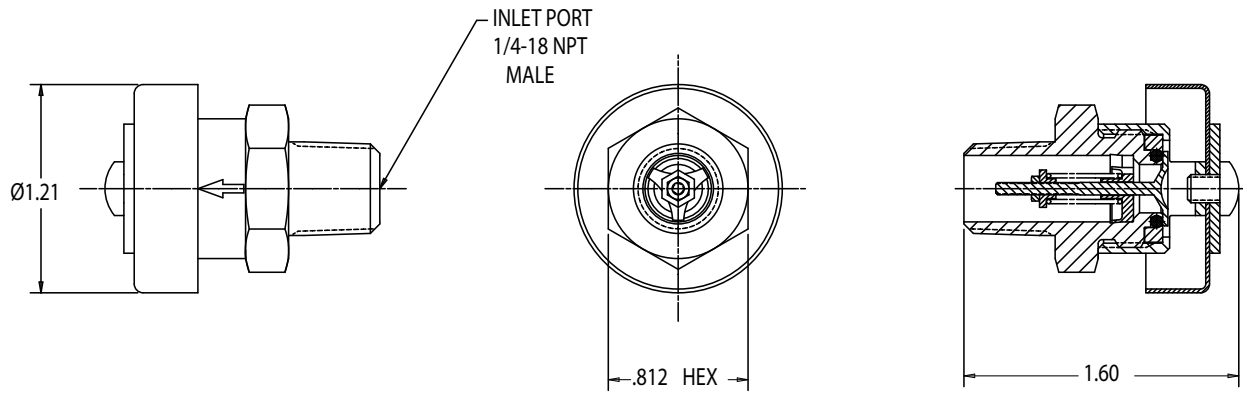
2301 Wardlow Circle • Corona, CA 92880
Phone (951) 270-6200 • Fax (951) 270-6201
www.circlesealcontrols.com

L500 Series

Dimensions



In-Line



Popoff - Vent to Atmosphere

CSC L500-2MP Relief Valve (In-Line) Flow Data
(ESR 21625)

| Spring Dash # | CP (PSI) | CP | RP | Flow (at % Over CP) | | |
|---------------|----------|-----|-----------|---------------------|------------|-----------|
| | | | | 10% | 25% | 50% |
| 0.5 | 0.3 | 0.3 | 0.24 | 0.06 SCFM | 0.16 SCFM | 0.32 SCFM |
| | 0.5 | 0.5 | 0.44 | 0.12 SCFM | 0.22 SCFM | 0.64 SCFM |
| | 0.7 | 0.7 | 0.55 | 0.34 SCFM | 1.12 SCFM | 1.9 SCFM |
| 1.5 | 0.9 | 0.9 | 0.78 | 0.62 SCFM | 1.12 SCFM | 1.9 SCFM |
| | 1.2 | 1.2 | 1 | 0.72 SCFM | 1.71 SCFM | 2.65 SCFM |
| | 1.5 | 1.5 | 1.3 | 0.91 SCFM | 1.83 SCFM | 3.4 SCFM |
| 1.8 | 1.8 | 1.8 | 1.6 | 0.94 SCFM | 1.89 SCFM | 3.75 SCFM |
| | 2.1 | 2.1 | 1.9 | 0.96 SCFM | 1.96 SCFM | 4.62 SCFM |
| | 2.2 | 2.2 | 2 | 1.04 SCFM | 2.1 SCFM | 4.3 SCFM |
| 3.5 | 2.7 | 2.7 | 2.5 | 1.28 SCFM | 2.3 SCFM | 5.2 SCFM |
| | 3.2 | 3.2 | 2.9 | 1.32 SCFM | 3.1 SCFM | 5.41 SCFM |
| | 3.7 | 3.7 | 3.4 | 1.35 SCFM | 3.5 SCFM | 6.5 SCFM |
| 7.5 | 4.2 | 4.2 | 3.9 | 1.64 SCFM | 4.85 SCFM | 7.25 SCFM |
| | 4.9 | 4.9 | 4.6 | 1.75 SCFM | 5.2 SCFM | 7.75 SCFM |
| | 6 | 6 | 5.7 | 2.2 SCFM | 5.5 SCFM | 9.2 SCFM |
| 8 | 8 | 7.7 | 1.45 SCFM | 6.05 SCFM | 10.85 SCFM | |
| 9 | 9 | 8.8 | 2.3 SCFM | 6.8 SCFM | 11.18 SCFM | |
| 10 | 10 | 9.7 | 2.35 SCFM | 6.32 SCFM | 12.29 SCFM | |

Tested By L. Whitehead & F. Smith
6/3/2003

FLOWMETER EQUIPMENT
SERNO HRD051603/1; HRD051603/2; 001; 004

How to Order

D L5 33 B - 2M - 5

VARIATION*

D Deflector cap

SEAT MATERIAL & TEMPERATURE RANGE

- 24 Silicone, -70° F to +450° F (-57°C to +232°C)
- 32 Viton®, -20° F to +400° F (-29°C to +204°C)
- 33 Neoprene, -40° F to +300° F (-40°C to +149°C)
- 62 Ethylene propylene, -65° F to +300° F (-54°C to +149°C)
- 65 Kalrez®, -40° F to +550° F (-40°C to +288°C)
- 77 Buna N, -65° F to +275° F (-54°C to +135°C)

CRACKING PRESSURE

Specify cracking pressure setting in psig (i.e. 5 = 5 psig set)

INLET/OUTLET PORTS

- 2M 1/4" pipe thread male (popoff)
- 2MP 1/4" pipe thread male/female (in-line)
- 3M 3/8" pipe thread male (popoff)
- 3MP 3/8" pipe thread male/female (in-line)
- 4MP 1/2" pipe thread male/female (in-line)

BODY MATERIAL

- B Brass
- T1 316 stainless steel

* blank if not required